


PRODUCT SHEET

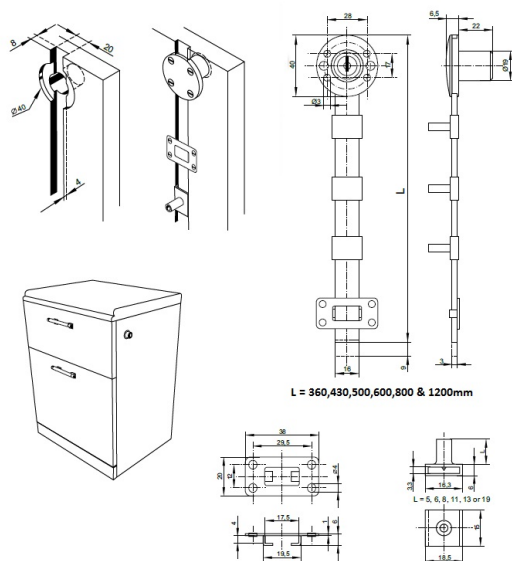
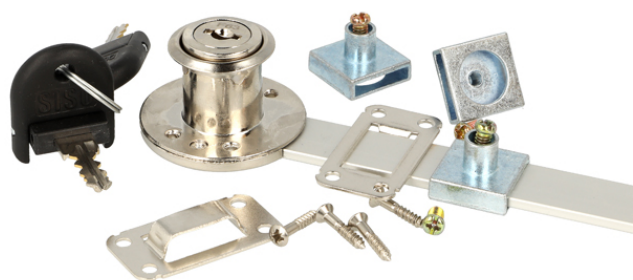
Description:

Central Lock MIC-851N/600mm, $\varnothing 19 \times 22$ mm, NPL,HCK SISO,#J12, W/ 8mm Pegs

Item number:

14.01.319-5

Units	Box	Carton	HS Code	Barcode
Pcs.	20	100	8301300000	
				5704866033251



SISO A/S

Mileparken 11
DK-2740 Skovlunde
Denmark
VAT: DK 24786013

Phone +45 45 830 900

www.siso.dk
siso@siso.dk

Danske Bank
Nytorv Branch
Copenhagen
SWIFT: DABADKKK

Account no.
4180 3112 112936
IBAN Account
DK7230003112112936