


PRODUCT SHEET

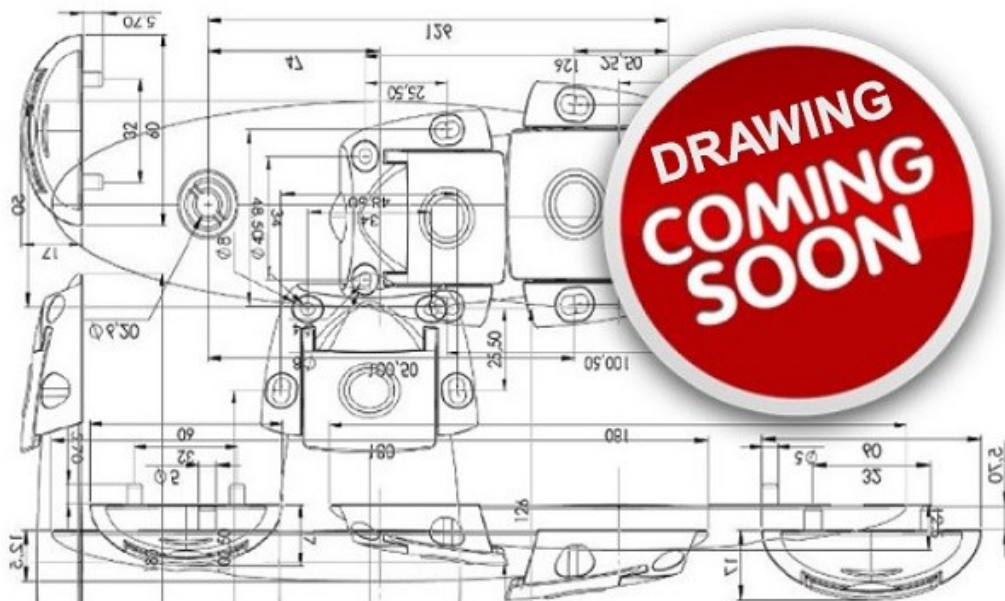
Description:

Extra Ring Parts F/Front Cover ø30 (Item 15.02.720 to 724)

Item number:

15.02.725-0

Units	Box	Carton	HS Code	Barcode
Pcs.	100	500	3926300090	 5704866052702



SISO A/S

Mileparken 11
DK-2740 Skovlunde
Denmark
VAT: DK 24786013

Phone +45 45 830 900

www.siso.dk
siso@siso.dk

Danske Bank
Nytorv Branch
Copenhagen
SWIFT: DABADKKK

Account no.
4180 3112 112936
IBAN Account
DK7230003112112936