


PRODUCT SHEET

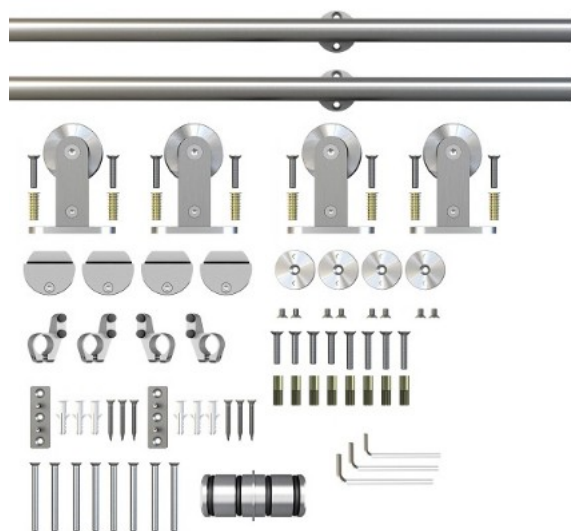
Description:

Sliding Door System "Apollo III", 3 Mtr, SS304, F/Double Wooden Doors

Item number:

28.29.452-0

Units	Box	Carton	HS Code	Barcode
Set	1	1	8302411000	
				5704866482400



ITEM NAME	PHOTO	MATERIAL + FINISH	QTY/SET	Notes
clamp fixing for track		SS304+ satin	4	It's used to connect the rail with wall
clamp fixing for track		SS304 +satin	4	
door stoper		SS304+ satin	4	One left side and one right side
sliding rail		SS304 +satin	3m	Dia25mm, thickness 2mm
end cap		SS304+ satin	2	pre-installed in the tubes
Sliding door roller		SS304+ satin	4	Including the furniture screw fixings.
Rail connector		SS304+ Brushed	1	For double byparting door
Floor guide		SS304+ satin	2	suitable for groove bottom door 20X7mm

SISO A/S

Mileparken 11
DK-2740 Skovlunde
Denmark
VAT: 24786013

Phone +45 45 830 900

www.siso.dk
siso@siso.dk

Danske Bank
Nytorv Branch
Copenhagen
SWIFT: DABADKKK

Account no.
4180 3112 112936
IBAN Account
DK7230003112112936